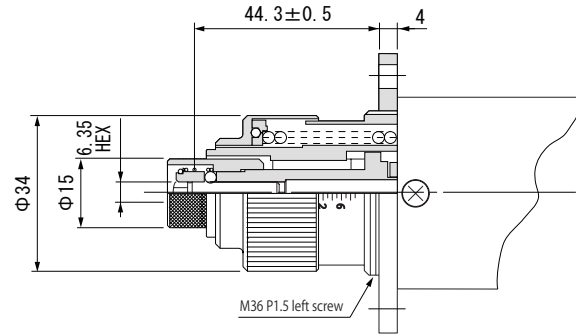
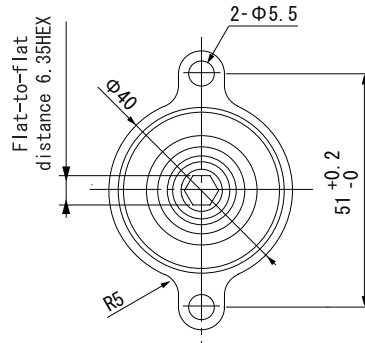


# BLF-7000X BLF-7025X



The flange has a left hand thread

Dimensional drawings in mm